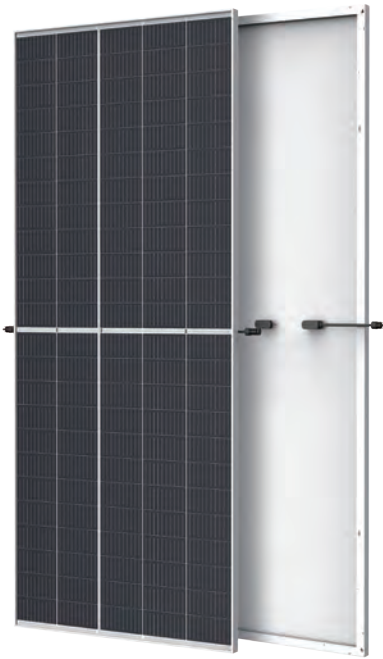


# Einnova Solarline

*invented for solar*

## Half Cut Mono Crystalline Solar Module ESM 390/395/400/405/410S



### KEY FEATURES



Excellent module efficiency up to: 21.30%



IP68 junction box for long-term weather endurance



Heavy snow loading up to 5400 Pa, wind loading up to 2400 Pa



PID: selected material and stringent quality system ensure PID free



Applicable to harsh environment of deserts, farmlands and seashores

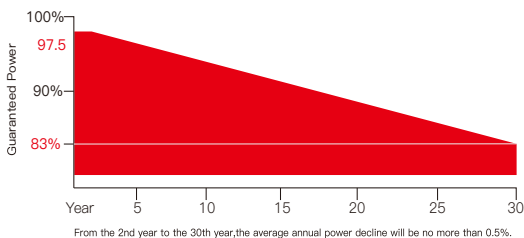


Much lower risk of Hot Spot

### CERTIFICATE



30 Years Power Output Warranty



### WARRANTY



Linear power output warranty  
-12 years minimum 92% power output  
-30 years minimum 83% power output

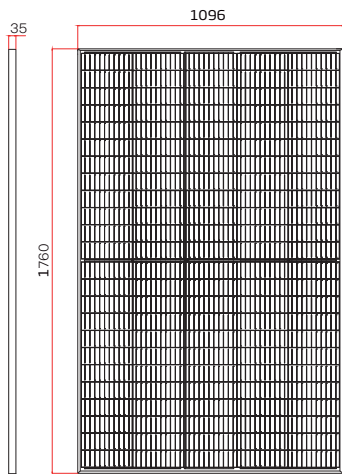


Product warranty on materials and workmanship  
According to the applicable Einnova Solarline Limited Warranty Statement

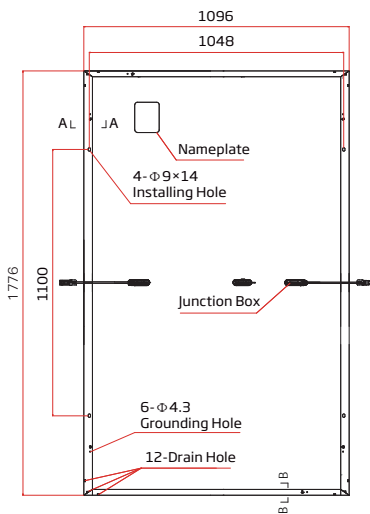


# Ennova Solarline

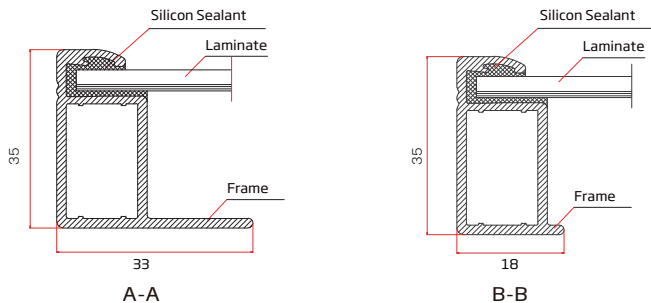
*invented for solar*



Front View



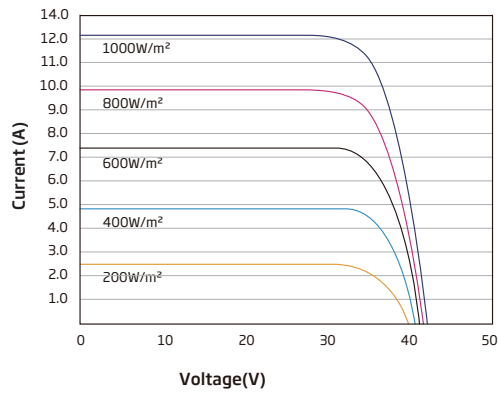
Back View



A-A

B-B

## I-V CURVES OF PV MODULE(395 W)



ELECTRICAL SPECIFICATION	Unit	ESM-390S	ESM-395S	ESM-400S	ESM-405S	ESM-410S
Maximum Power (Pmax)	W	390	395	400	405	410
Module Efficiency (%)	%	20.3	20.5	20.8	21.1	21.40
Open Circuit Voltage (Voc)	V	40.80	41.00	41.20	41.40	41.60
Short Circuit Current (Isc)	A	12.14	12.21	12.28	12.34	12.40
Maximum Power Voltage (Vmp)	V	33.80	34.0	34.20	34.40	34.60
Maximum Power Current (Imp)	A	11.54	11.62	11.70	11.77	11.84
Maximum System Voltage	V	ICE 1 00VDC				

STC:Irradiance:1000W/m<sup>2</sup>,Module Temperature:25°C,Air Mass:1.5

ELECTRICAL DATA@NOCT	ESM-390S	ESM-395S	ESM-400S	ESM-405S	ESM-410S
Pmax [W]	295	298	302	306	310
Vmp[V]	31.80	32.20	32.40	32.60	32.80
Imp[A]	9.26	9.32	9.38	9.41	9.45
Voc[V]	38.40	38.60	38.80	38.90	39.10
Isc[A]	9.78	9.84	9.90	9.95	10.00

NOCT:Irradiance:800W/m<sup>2</sup>, Ambient Temperature:20°C,Air Mas:1.5,Wind Speed:1m/s

MECHANICAL SPECIFICATIONS	
Solar Cell Type	Monocrystalline 210"
Number of Cells	120pcs /3x40
Module Size	1776x1096x35mm
Weight	21.0kg
Glass	3.2mm tempered glass
Back Sheet	White or Black
Frame	Anodized aluminium alloy,silver or black
Junction Box	IP68,three diodes
Quantity of Diodes	3pcs
Cable	4.0mm <sup>2</sup> 1000mm
Connector	MC4 Compatible
Wind/Snow Load	2400pa/5400pa

TEMPERATURE CHARACTERISTIC	
NMOT (Nominal Module Operating Temperature)	45°C (±2°C)
Temperature Coefficient of P <sub>MAX</sub>	- 0.36%/°C
Temperature Coefficient of U <sub>OC</sub>	- 0.26%/°C
Temperature Coefficient of I <sub>SC</sub>	0.04%/°C

PACKAGING CONFIGURATION	
Modules per box:	31pcs
Number per 20GP:	276pcs
Modules per 40' HQ:	806pcs

MAXIMUM RATINGS	
Operational Temperature	-40 to +85°C
Maximum System Voltage	1500V DC(IEC)
Max Series Fuse Rating	30 A
Protection Class	Class II
Snow Loading	5400 Pa
Wind Loading	2400 Pa
Hailstone Test	25mm Hailstone at the speed of 23m/s

\*design load with safety factor 1.5  
(DO NOT connect Fuse in Combiner Box with two or more strings in parallel connection)