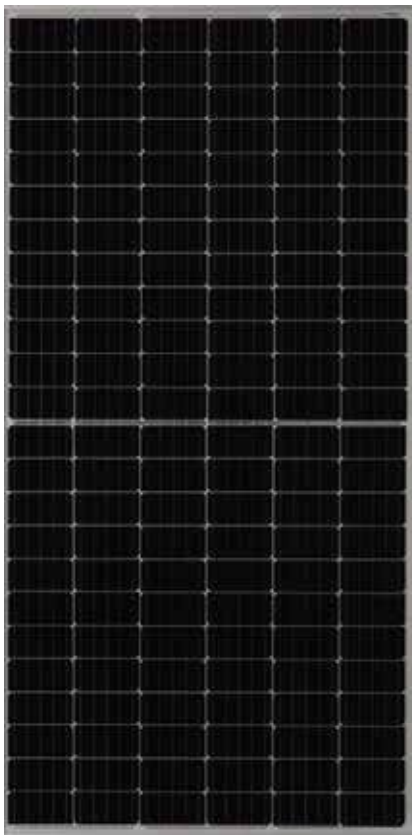


Einnova Solarline

invented for solar



PERC Half Cut Mono Crystalline Solar Module ESM 530/535/540/545/550S

KEY FEATURES



Excellent module efficiency up to: 21.30%



IP68 junction box for long-term weather endurance



Heavy snow loading up to 5400 Pa, wind loading up to 2400 Pa



PID: selected material and stringent quality system ensure PID free



Applicable to harsh environment of deserts, farmlands and seashores

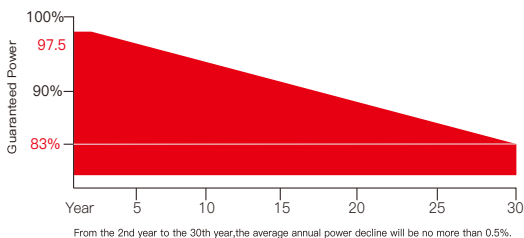


Much lower risk of Hot Spot

CERTIFICATE



30 Years Power Output Warranty



WARRANTY



Linear power output warranty
-12 years minimum 92% power output
-30 years minimum 83% power output



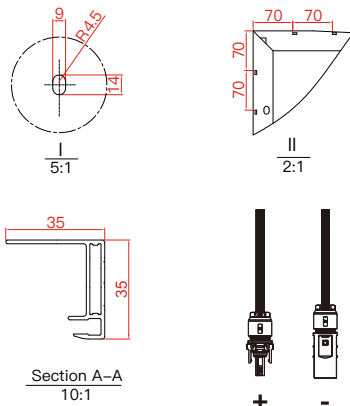
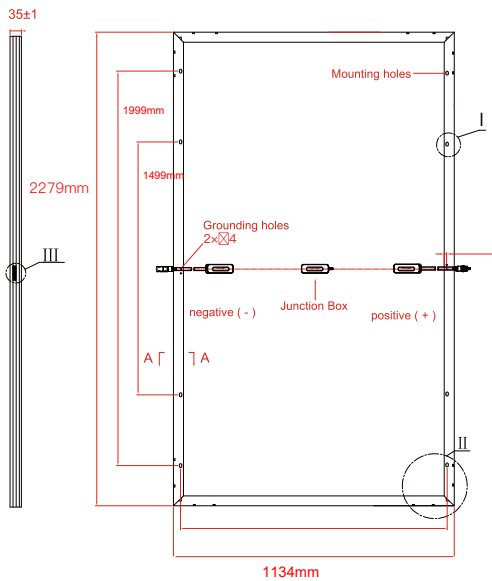
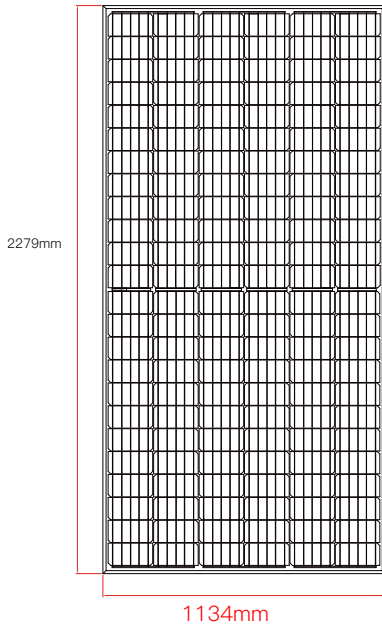
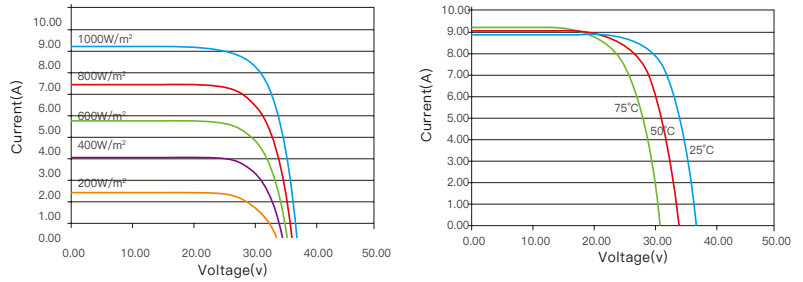
Product warranty on materials and workmanship
According to the applicable Einnova Solarline Limited Warranty Statement



Ennova Solarline

invented for solar

IV CURVE



| ELECTRICAL SPECIFICATION | Unit | ESM-530S | ESM-535S | ESM-540S | ESM-545S | ESM-550S |
|-----------------------------|------|-------------|----------|----------|----------|----------|
| Maximum Power (Pmax) | W | 530 | 535 | 540 | 545 | 550 |
| Module Efficiency | % | 20.5 | 20.7 | 20.9 | 21.1 | 21.3 |
| Open Circuit Voltage (Voc) | V | 49.25 | 49.40 | 49.55 | 49.70 | 49.85 |
| Short Circuit Current (Isc) | A | 13.73 | 13.79 | 13.85 | 13.91 | 13.97 |
| Maximum Power Voltage (Vmp) | V | 41.40 | 41.55 | 41.70 | 41.85 | 42.00 |
| Maximum Power Current (Imp) | A | 12.81 | 12.88 | 12.95 | 13.03 | 13.10 |
| Maximum System Voltage | V | ICE 1500VDC | | | | |

STC:Irradiance:1000W/m²,Module Temperature:25°C,Air Mass:1.5

| ELECTRICAL DATA@NOCT | ESM-530S | ESM-535S | ESM-540S | ESM-545S | ESM-550S |
|----------------------|----------|----------|----------|----------|----------|
| Pmax[W] | 394 | 398 | 402 | 405 | 409 |
| Vmp[V] | 37.84 | 37.91 | 38.08 | 38.25 | 38.42 |
| Imp [A] | 10.42 | 10.50 | 10.55 | 10.60 | 10.65 |
| Voc[V] | 46.50 | 46.57 | 46.65 | 46.74 | 46.84 |
| Isc[A] | 11.07 | 11.14 | 11.19 | 11.27 | 11.33 |

NOCT:Irradiance:800W/m², Ambient Temperature:20°C,Air Mass:1.5,Wind Speed:1m/s

| MECHANICAL SPECIFICATIONS | |
|---------------------------|--|
| Solar Cell Type | Mono Crystalline 182x91mm |
| Number of Cells | 144pcs (24x6) |
| Module Size | 2279x1134x35mm |
| Weight | 28.5kg |
| Glass | 3.2mm tempered glass |
| Back Sheet | White or Black |
| Frame | Anodized aluminium alloy,silver or black |
| Junction Box | IP68 |
| Quantity of Diodes | 3pcs |
| Cable | 4.0mm ² 1100mm |
| Connector | MC4 Compatible |
| Wind/Snow Load | 2400pa/5400pa |

| TEMPERATURE CHARACTERISTIC | |
|---|-------------|
| NMOT (Nominal Module Operating Temperature) | 45°C (±2°C) |
| Temperature Coefficient of P _{max} | - 0.36%/°C |
| Temperature Coefficient of U _{oc} | - 0.26%/°C |
| Temperature Coefficient of I _{sc} | 0.04%/°C |

| PACKAGING CONFIGURATION | |
|-------------------------|--------|
| Modules per box: | 31pcs |
| Number per 20GP: | 186pcs |
| Modules per 40' HQ: | 620pcs |

| MAXIMUM RATINGS | |
|-------------------------|--------------------------------------|
| Operational Temperature | -40 to +85°C |
| Maximum System Voltage | 1500VDC(IEC) |
| Max Series Fuse Rating | 25A |
| Protection Class | Class II |
| Snow Loading | 5400 Pa |
| Wind Loading | 2400 Pa |
| Hailstone Test | 25mm Hailstone at the speed of 23m/s |

*design load with safety factor 1.5
(DO NOT connect Fuse in Combiner Box with two or more strings in parallel connection)